

Features

- ◇ Small size, simple structure and light weight.
- ◇ It can be equipped with built-in or external vacuum pump.
- ◇ Suitable for handling light and small object.

Application

- ◇ 3C
- ◇ Sheet metal
- ◇ Sorting
- ◇ Package

How to order

TXN 15×76 - B5 WS - C

①
②
③
④
⑤

① Series	② Dimension	③ Adsorption surface type	④ Material of suction cup	⑤ Vacuum type
TXN	22×38	A - Conventional sponge type AT - Mark free sponge type CA - Conductive sponge type	-	Nil - Without vacuum pump
	22×76			
	60×120	A - Conventional sponge type	-	C - With built-in vacuum pump
	15×76	B5N - Φ5Double-row suction cup B7N - Φ7Double-row suction cup	Nil - Default, NBR. WS - White silicone	C - With built-in vacuum pump
	15×90	B3 - Φ3Single-row suction cup B5 - Φ5Single-row suction cup B7 - Φ7Single-row suction cup B3N - Φ3Double-row suction cup B5N - Φ5Double-row suction cup B7N - Φ7Double-row suction cup		
	27×90	B3D - Φ3 Four-row suction cup B5D - Φ5 Four-row suction cup B7D - Φ7 Four-row suction cup		



Features

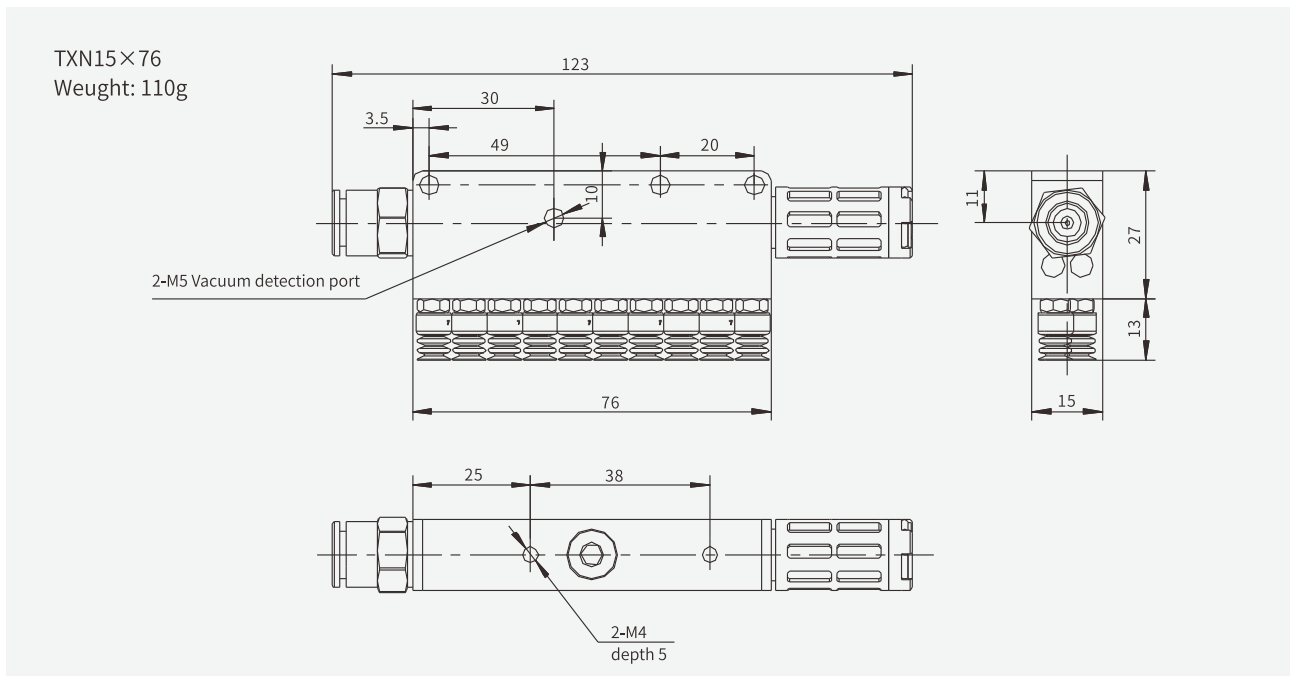
◇ The product is applied to the handling and sorting of light and small workpieces. It can be used to grasp the workpieces with porous structure and effectively grasp the workpieces with partial adsorption leakage.

Technical parameters

Air supply pressure(bar)	Max. vacuua level(- kPa)	Max.vacuua flow(NL/min)	Air consumption (NL/min)	Diameter of suction cup	Air supply port	Quantity of suction cup (pcs)
5.0	85	40	45	φ5/ φ7	G1/8	10

◇Note: 1.The quantity and type of the above-mentioned suction cup can be customized. If there are special requirements, you can contact customer service.

Dimensions(mm)



Spare parts

Suction cup	Model of suction cup	Specification (mm)
TXN suction cup	TXN-B5	φ5
TXN suction cup	TXN-B7	φ7